



**Follow Detailed Chassis-Lift Inspection Procedure Below**

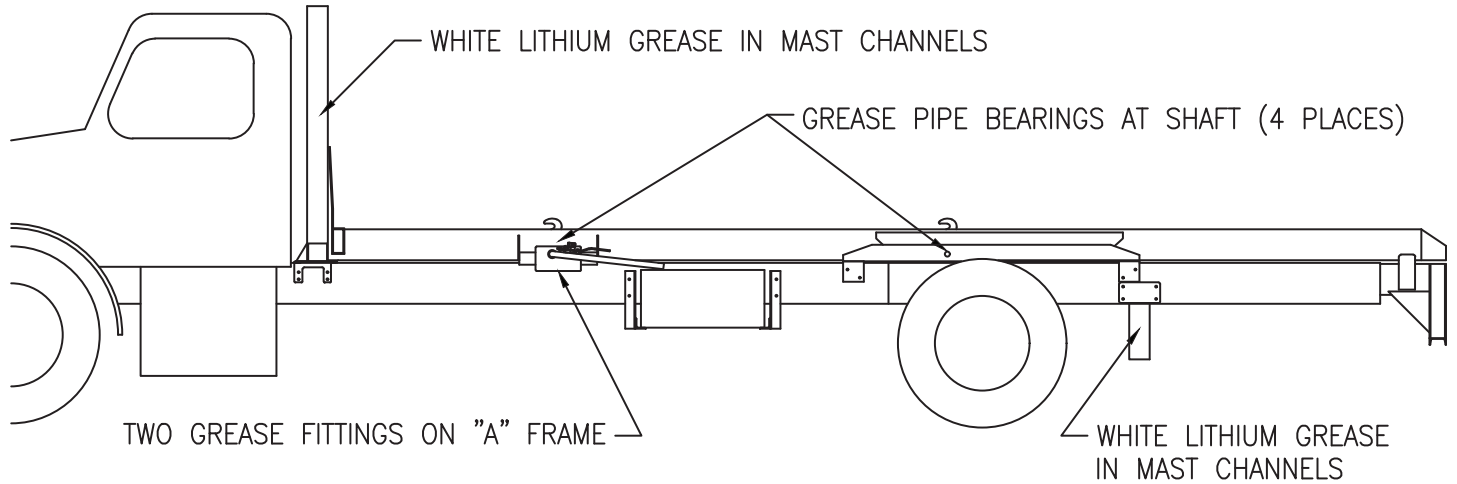
Inspection date \_\_\_\_\_ Inspected by \_\_\_\_\_



Serial # \_\_\_\_\_ Unit # \_\_\_\_\_

Inspect	Inspected OK	Needs Repair	Comments
<b>A. Run System and Inspect</b>			
Run the lifting frame up and down to insure smooth operation	<input type="checkbox"/>	<input type="checkbox"/>	
Inspect all nuts, bolts and cotter pins for proper tightness	<input type="checkbox"/>	<input type="checkbox"/>	
Inspect lifting frame and locking devices for abnormalities	<input type="checkbox"/>	<input type="checkbox"/>	
Inspect front and rear masts; clean any accumulated debris from bottom of rear mast	<input type="checkbox"/>	<input type="checkbox"/>	
Inspect all hydraulic fittings and fluid lines for leaks	<input type="checkbox"/>	<input type="checkbox"/>	
Check that the oil is clean and that the reservoir is filled within two inches of the top	<input type="checkbox"/>	<input type="checkbox"/>	
Inspect the hydraulic cylinder shafts for dirt, gum or varnish	<input type="checkbox"/>	<input type="checkbox"/>	
Wipe off any accumulation with kerosene and then with light grade motor oil	<input type="checkbox"/>	<input type="checkbox"/>	
Check system pressure	<input type="checkbox"/>	<input type="checkbox"/>	
Check for "side play" in lifter rear cylinder	<input type="checkbox"/>	<input type="checkbox"/>	
<b>B. Grease</b>			
Grease all locking shafts	<input type="checkbox"/>	<input type="checkbox"/>	
Grease locking lever	<input type="checkbox"/>	<input type="checkbox"/>	
Grease front and rear masts with lithium grease spray	<input type="checkbox"/>	<input type="checkbox"/>	
<b>C. Locking Hooks</b>			
Check measurements of front hooks	<input type="checkbox"/>	<input type="checkbox"/>	
Check measurements of rear hooks	<input type="checkbox"/>	<input type="checkbox"/>	
Adjust front and rear hooks if required	<input type="checkbox"/>	<input type="checkbox"/>	
Check body stops	<input type="checkbox"/>	<input type="checkbox"/>	
Check warning system	<input type="checkbox"/>	<input type="checkbox"/>	
Check that locking lever is in good working order	<input type="checkbox"/>	<input type="checkbox"/>	

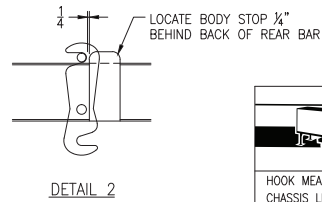
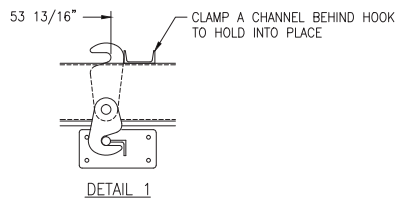
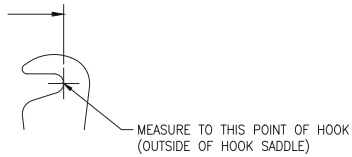
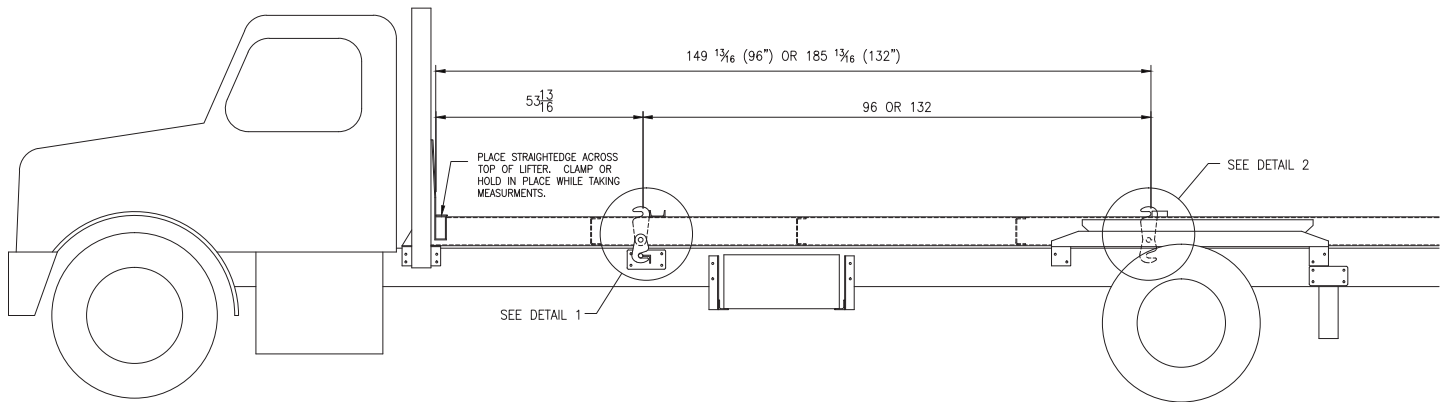
Continued on next page

Inspect	Inspected OK	Needs Repair	Comments
<b>D. Electrical</b>			
Check all truck lights	<input type="checkbox"/>	<input type="checkbox"/>	
Check light plug	<input type="checkbox"/>	<input type="checkbox"/>	
Check battery terminals for corrosion	<input type="checkbox"/>	<input type="checkbox"/>	
Check circuit breaker terminals for corrosion	<input type="checkbox"/>	<input type="checkbox"/>	
Check solenoid terminals for corrosion	<input type="checkbox"/>	<input type="checkbox"/>	
Check ground connection	<input type="checkbox"/>	<input type="checkbox"/>	
Check voltage to system	<input type="checkbox"/>	<input type="checkbox"/>	
<b>E. Clean System</b>			
Remove body from truck	<input type="checkbox"/>	<input type="checkbox"/>	
Power wash truck chassis	<input type="checkbox"/>	<input type="checkbox"/>	
Power wash rear mast bottom	<input type="checkbox"/>	<input type="checkbox"/>	
<b>Oil Recommendations</b>			
Use Automatic Transmission Fluid, Dextron III or equivalent hydraulic oil.			




			
<b>DEMOUNTABLE CONCEPTS</b>			
GREASE DIAGRAM CHASSIS LIFT FOR:			
SIZE A	REV. NO. 	PART NO. DLK-470	
DRAWN ASP	DATE 2/1/16	JOB NO.	
SCALE 1/4"=12"	CAD# DLK-470	SHEET 1 OF 1	

COPYRIGHT 2016 DEMOUNTABLE CONCEPTS, INC.  
 THIS DRAWING AND THE DATA SHOWN IS PROPRIETARY AND CONFIDENTIAL. DO NOT USE OR REPRODUCE FOR ANY PURPOSE WITHOUT THE WRITTEN CONSENT OF DEMOUNTABLE CONCEPTS, INC.



COPYRIGHT 2013 DEMOUNTABLE CONCEPTS, INC.  
 THIS DRAWING AND THE DATA SHOWN IS  
 PROPRIETARY AND CONFIDENTIAL. DO NOT  
 USE OR REPRODUCE FOR ANY PURPOSE  
 WITHOUT THE WRITTEN CONSENT OF  
 DEMOUNTABLE CONCEPTS, INC.

 <b>DEMOUNTABLE CONCEPTS</b>			
HOOK MEASUREMENTS CHASSIS LIFT for:			
SIZE <b>B</b>	REV. NO. <b>0</b>	PART NO. <b>DLK-510</b>	
DRAWN ASP	DATE 6/26/01	JOB NO.	
SCALE 1/2"=12"	DLK-510	SHEET 1 OF 1	

WARNING LABEL MUST BE APPLIED TO DASH IN VISIBLE LOCATION.

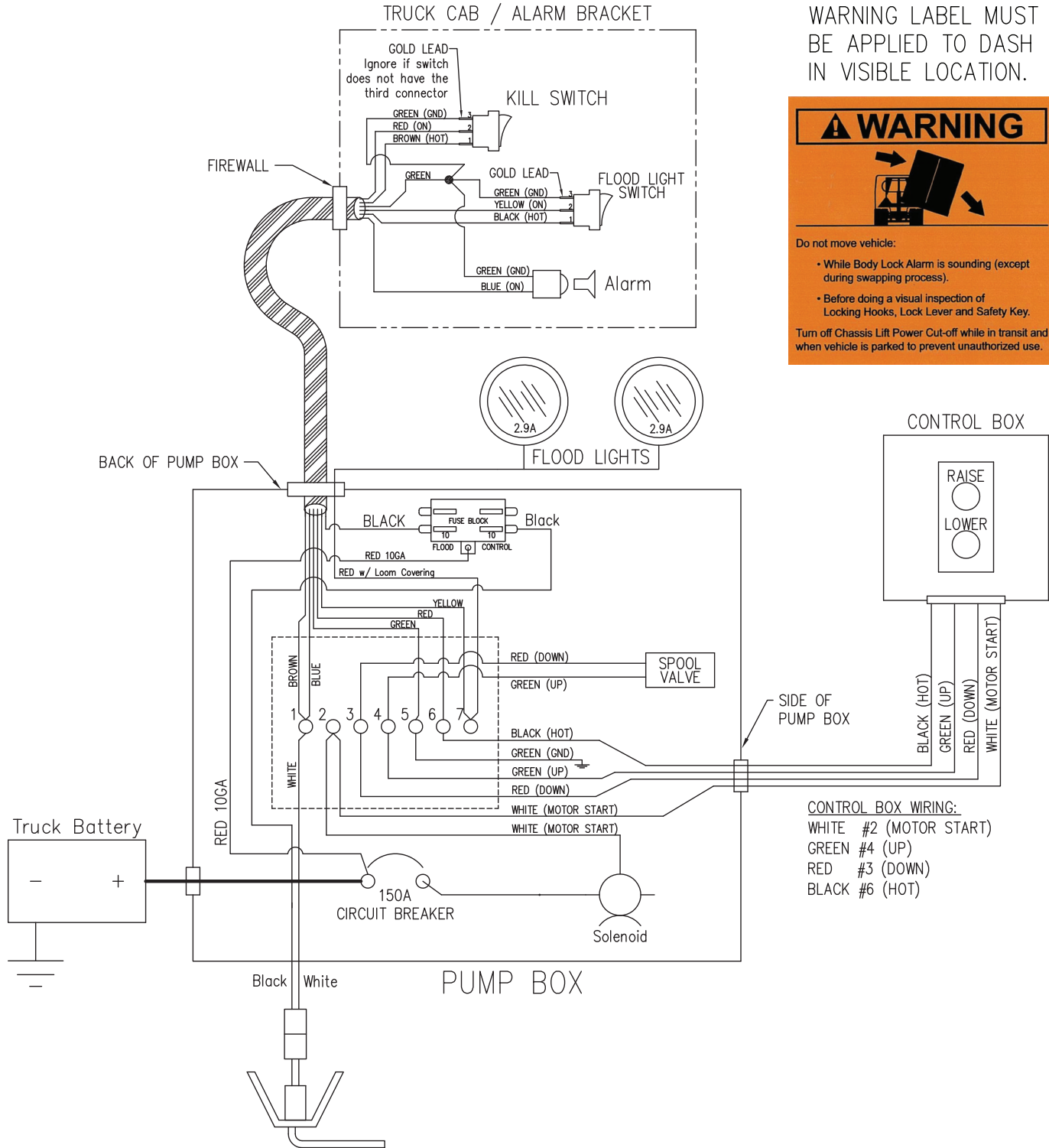
**WARNING**



Do not move vehicle:

- While Body Lock Alarm is sounding (except during swapping process).
- Before doing a visual inspection of Locking Hooks, Lock Lever and Safety Key.

Turn off Chassis Lift Power Cut-off while in transit and when vehicle is parked to prevent unauthorized use.



LOCK ALARM HARNESS  
W/ Momentary Switch  
"Normally on"  
(Located on "A" Frame)

COPYRIGHT 2017 DEMOUNTABLE CONCEPTS, INC.  
THIS DRAWING AND THE DATA SHOWN IS PROPRIETARY AND CONFIDENTIAL. DO NOT USE OR REPRODUCE FOR ANY PURPOSE WITHOUT THE WRITTEN CONSENT OF DEMOUNTABLE CONCEPTS, INC.

**DEMOUNTABLE CONCEPTS**

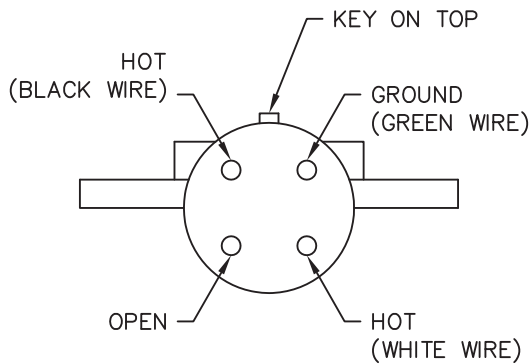
FINAL CONTROL WIRING CONNECTIONS W/KILL SWITCH  
CHASSIS LIFT  
SINGLE HARNESS ALARM

SIZE A	REV. NO. 7	PART NO. DLK-425.7	
DRAWN JPO	DATE 9/16/2015	JOB NO.	
SCALE		CAD# DLK-425.7	SHEET 1 OF 2

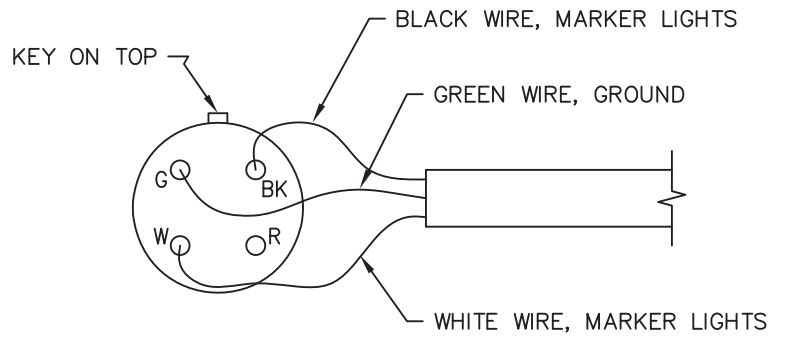
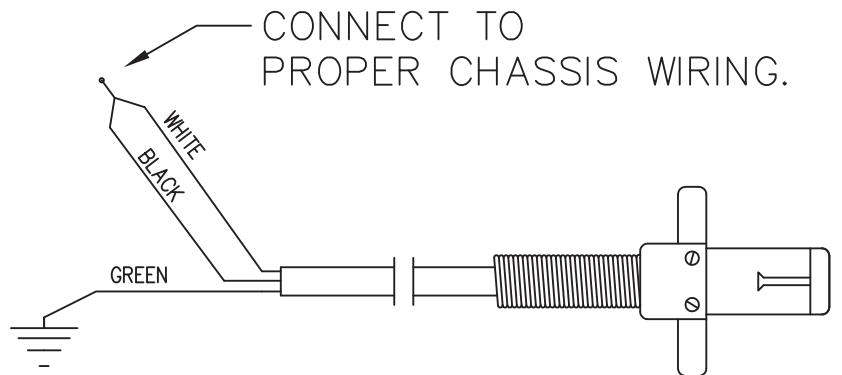
CONNECT BODY BUILDER PLUG MARKER CIRCUIT TO DCI 4 WAY PLUG.

IF CIRCUIT IS NOT RATED FOR 15A, ADD A RELAY TO SYSTEM TO DRAW FUSED POWER FROM BATTERY.

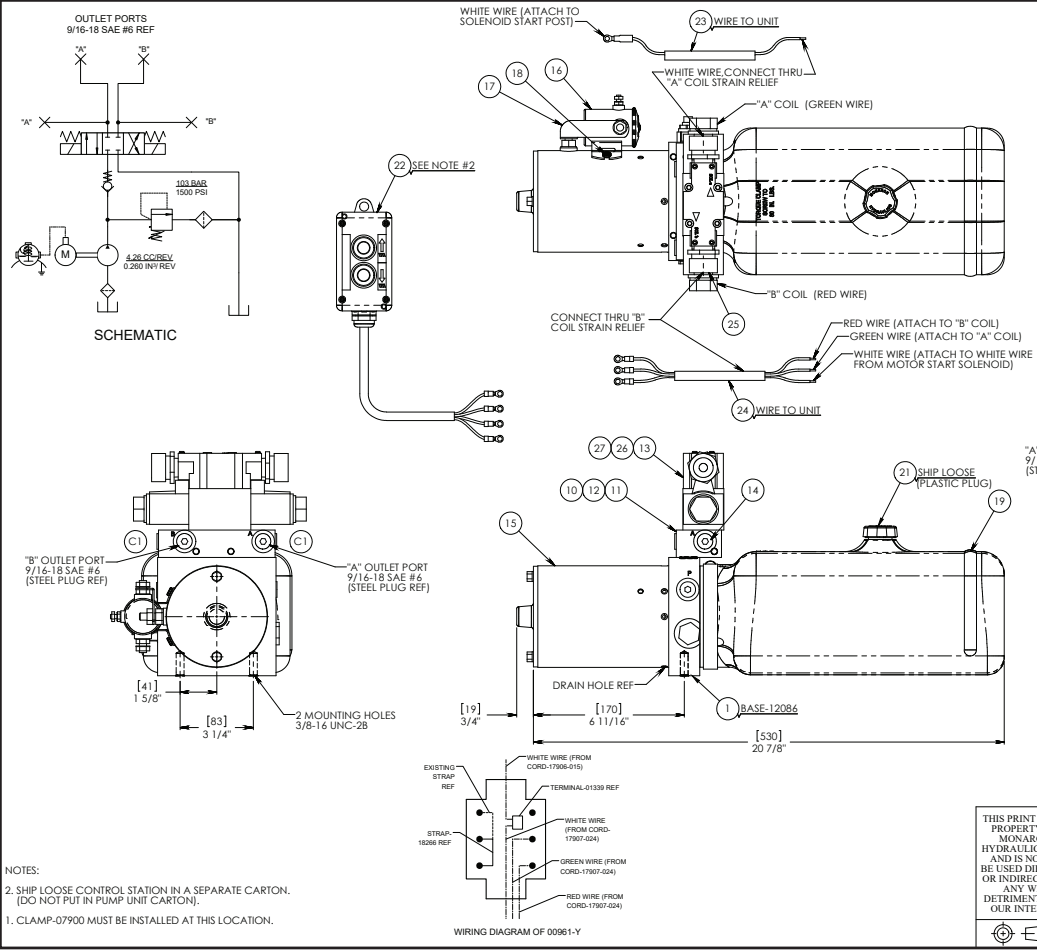
CONNECT RELAY TRIGGER WIRE TO BB PLUG OR CHASSIS HARNESS MARKER CIRCUIT.



VIEW FROM FRONT OF PLUG



VIEW FROM BACK OF PLUG



ITEM NO	QTY	PART NO	DESCRIPTION
1	1	12428	BASE ASSY.M35598.MOD.STD MTR/MT
2	1	12430-510	P ASSY.QM.MDLR.DC.BRG.RSV.1/2"
3	4	07837	SCREW.SHC.1/4-20 X 3.25.BLK.OX
4	1	07959	NIPPLE.1/2 NPT X 2.SCH.40
5	1	13109	FITTING.ELBOW.90 DEG.PIPE.BLCK
6	1	13015	FILTER.SUCTION.1/2"
7	1	01116	NIPPLE.1/4 X 6
8	1	01222	ELBOW.90 DEG.1/4NPT X 1/4 NPT
9	1	03212-03.00	TUBE.RTN.SIR.1/4 NPT PVC
10	2	00118	O-RING.0.63 X 0.75 X 0.06-016
11	1	07308	MANFOLD.D03.1 STA.VLV.M-3500
12	3	07739	SCREW.SHC.1/4-20 X 1.50.BLK.OX
13	1	00961-Y	VALVE.ELEC.12VDC.4W/3P.D03.CC
14	4	03276	PLUG.SAE O-RING.9/16-18.HEX.SO
15	1	08111-S	MOTOR.DC.12V.4.5-1 TERM.
16	1	03427	SWITCH.SOL.12VDC.3-POS1 M-SER
17	1	01349	STRAP.MOTOR.SOLENOID.CONNECT
18	2	17071	SCREW.PAN.HD.TORX.10-32 X 5/16
19	1	14158	RESV.PLASTIC.5.5X6.SX13.5
20	1	07900	CLAMP.HOSE.WORM.GEAR.RSV.M-SER
21	1	01143	PLUG.RESV.BREATHER-FILLER
22	1	17905-080	CONTROL STATION.WP.SPECIAL.80"
23	1	17906-015	CORD ASSY.HRNS3.WHT WIRE.151G
24	1	17907-024	CORD ASSY.HRNS3.WHT WIRE.241G
25	2	01531	FITTING.STRN.REL.WP.3/8" CORD
26	1	18266	STRAP.CONNECT.PLATE.D03 VLV
27	1	01339	TERMINAL.CLS END CONNECT.SMALL

NOTES:  
 2. SHIP LOOSE CONTROL STATION IN A SEPARATE CARTON.  
 (DO NOT PUT IN PUMP UNIT CARTON).  
 1. CLAMP-07900 MUST BE INSTALLED AT THIS LOCATION.

REV	DESCRIPTION	SIZE
C	(1) ADDED STEEL PLUGS (2X) (2) 03276 (4X) WAS (2X) (3) 17071 WAS 07587	D
	DESCRIPTION: PUMP UNIT, M-3515-0102, HORZ MT, 12 VDC	REV BY: LYZZ
	CUSTOMER: DEMOUNTABLE CONCEPTS	REV DATE: 10/30/2007
	MONARCH HYDRAULICS INC GRAND RAPIDS, MI USA	DATE: 8/30/2005
	[MILLIMETER] INCH	DRAWN BY: PMK
	DO NOT SCALE	EWR: 12479
	SHEET 1 OF 1	REV: C