

DEMOUNTABLE CONCEPTS, INC. INSPECTION CONDITION REPORT

Company: _____ Report No. **0000000**
 Location: _____
 Location of Inspection: _____ Unit No. _____
 Inspected by: _____ Date: _____

Inspector: Check (✓) item(s) that needs repair. Mechanic: check (✓) when repairs are completed.

Repair		Item	Describe All Defects in Detail. Use Illustrations Attached to Identify Location.
Insp.	Mech.		
		Front locking hooks fully engaged around side lockouts. (Illustration 1)	
		Front locking hooks fully engaged around front locking bar. (Illustration 2)	
		Rear locking hooks fully engaged on rear locking bars, upper and lower. (Illustration 3)	
		Rear body stops intact and secure. (Illustration 4)	
		Locking pin fully engaged to alarm button switch. (Illustration 5)	
		Locking flag pin in place and secure. (Illustration 6)	
		Locking handle hardware intact and secure. (Illustration 7)	
		Front plate on body longrail in contact with front wing plate of chassis lift. (Illustration 8)	

General Inspection

- No cracks or visible damage to the truck mounted system or trailer mounted system.
- No missing parts or hardware.
- No broken or cracked welds.

Comments: _____

Repaired **Repair is Not Required for Safe Use of these Components**

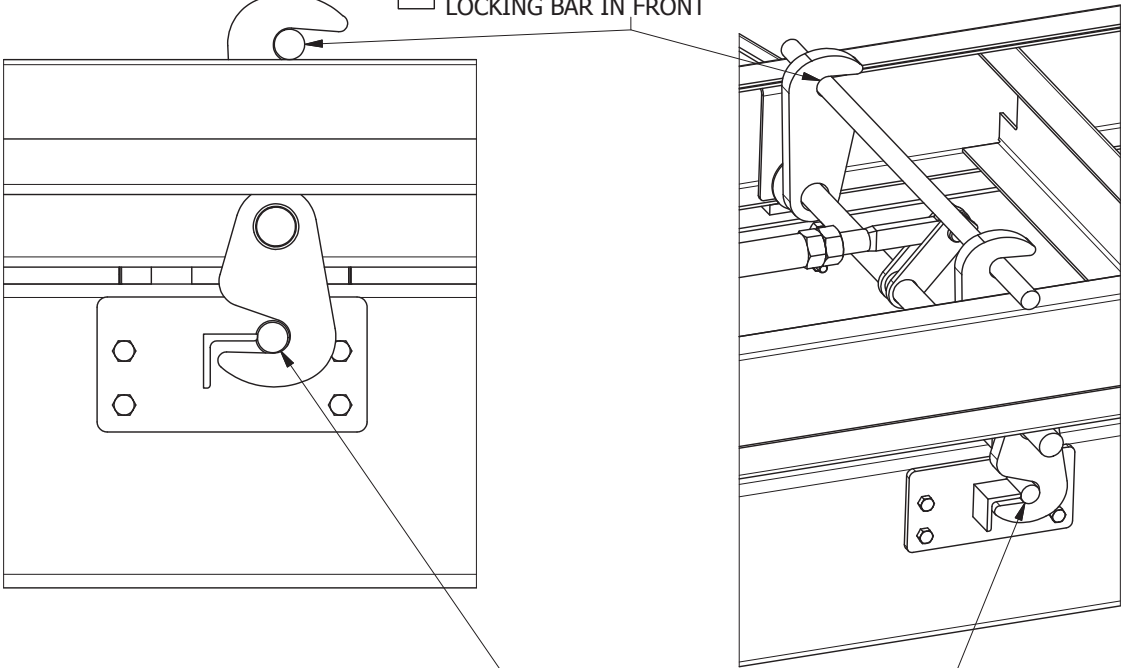
Mechanics Signature: _____ Date: _____

Mark clearly all damage or deficiencies found by using the following symbols on the damage location in the attached illustrations: **C**=Crack **CW**=Cracked Weld **D**=Dent **SC**=Severe Corrosion **BR**=Broken **M**=Missing

4 | 3 | 2 | 1

2 HOOKS FULLY ENGAGED AROUND LOCKING BAR IN FRONT

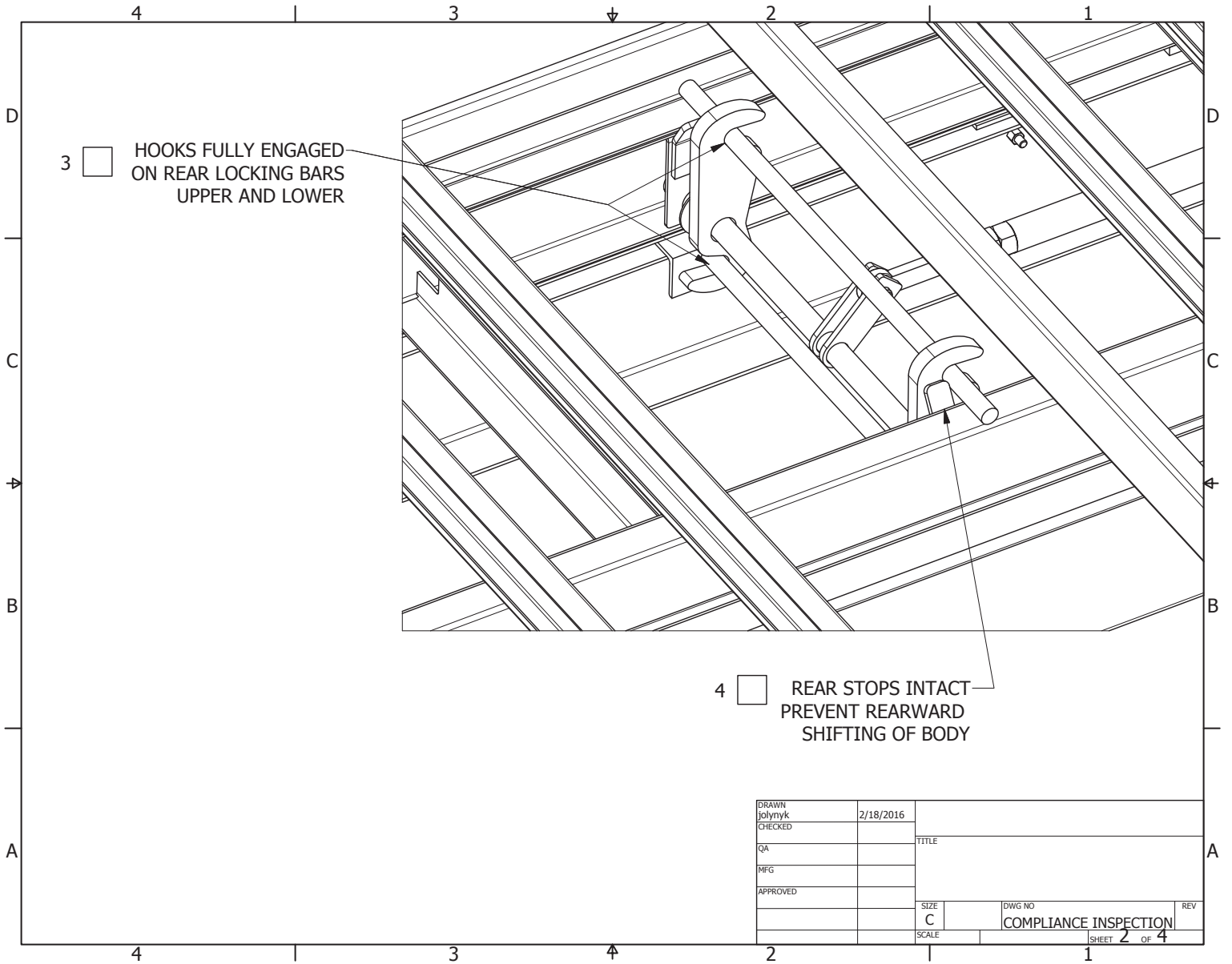
1 HOOKS FULLY ENGAGED AROUND SIDE LOCKOUTS IN FRONT



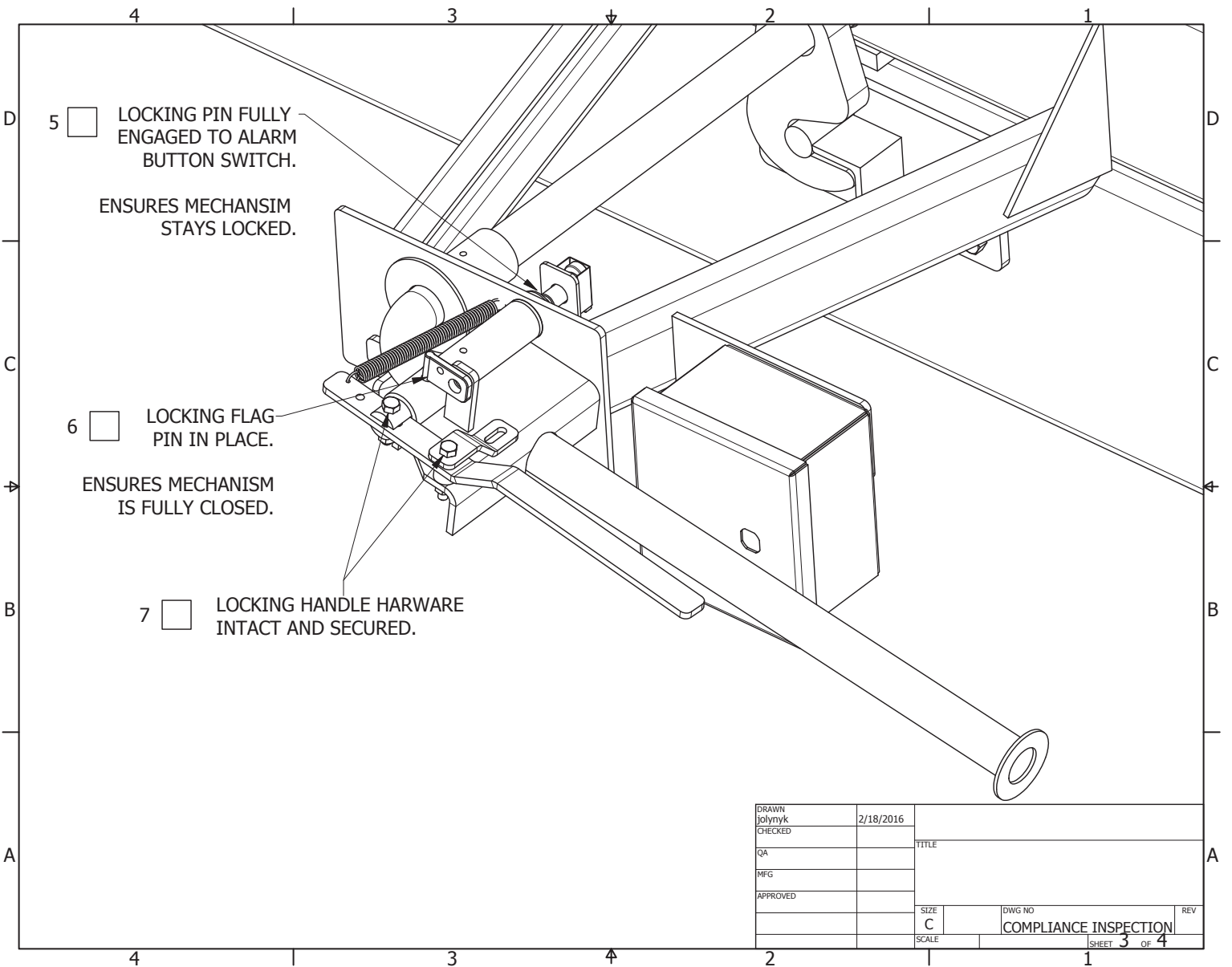
HOOKS SECURES CARGO AGAINST LATERAL AND REARWARD SHIFTING.

DRAWN Jolyntyk	2/18/2016		
CHECKED		TITLE	
QA			
MFG			
APPROVED			
		SIZE C	DWG NO
		COMPLIANCE INSPECTION	
		SCALE	REV
			SHEET 1 OF 4

4 | 3 | 2 | 1



DRAWN jolyryk	2/18/2016		
CHECKED		TITLE	
QA			
MFG			
APPROVED			
		SIZE C	DWG NO COMPLIANCE INSPECTION
		SCALE	REV
		SHEET 2 OF 4	



DRAWN jolytyk	2/18/2016		
CHECKED		TITLE	
QA			
MFG			
APPROVED			
		SIZE C	DWG NO COMPLIANCE INSPECTION
		SCALE	REV
		SHEET 3 OF 4	

