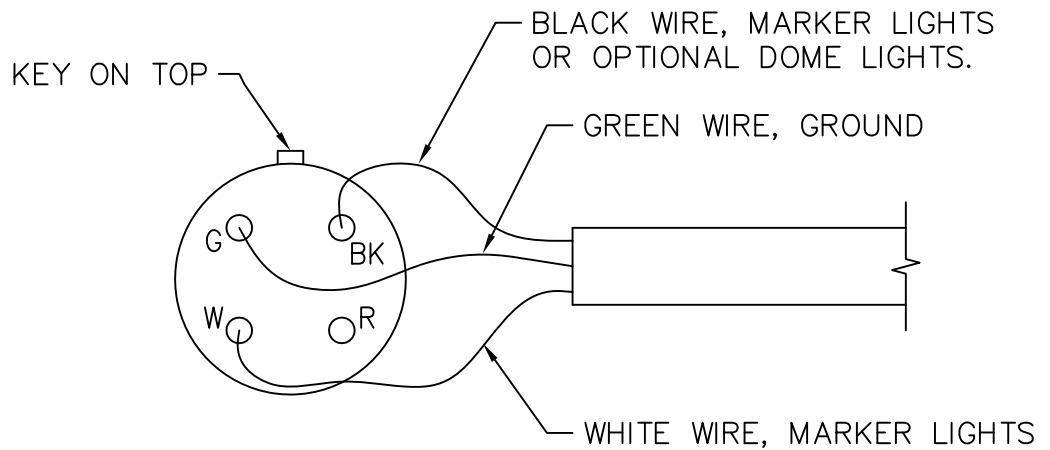
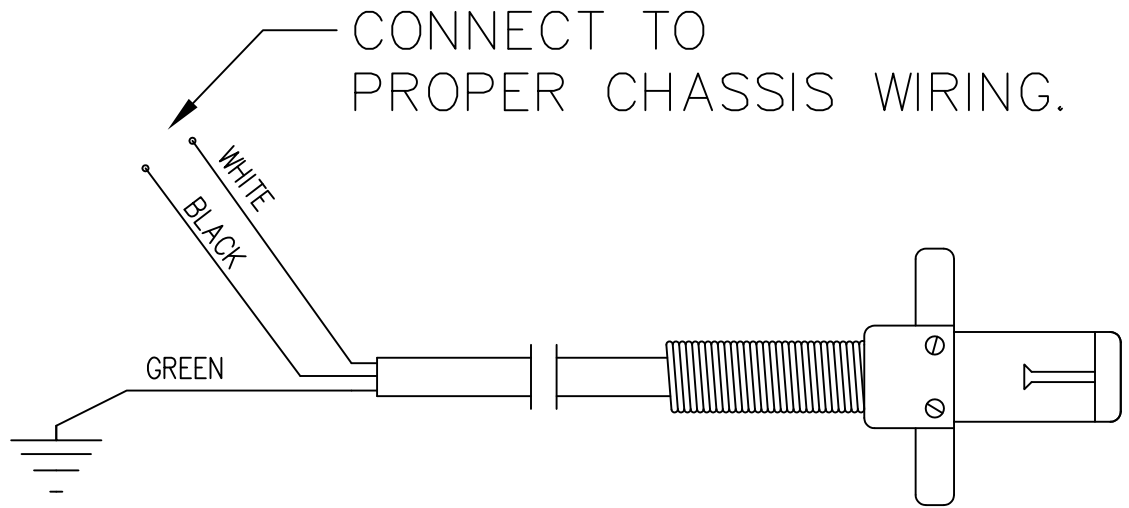


THE FOLLOWING DIAGRAM IS THE DCI RECOMMENDED WIRING.  
 PLEASE CHECK EXISTING SYSTEM BEFORE DOING ANY WIRING,  
 TO INSURE SYSTEM COMPATIBILITY.

CONNECT BODY BUILDER PLUG MARKER CIRCUIT TO 4 WAY PLUG.

IF CIRCUIT IS NOT RATED FOR 15A,  
 ADD A RELAY TO SYSTEM TO DRAW  
 FUSED POWER FROM BATTERY.

CONNECT RELAY TRIGGER WIRE TO BB PLUG OR CHASSIS HARNESS  
 MARKER CIRCUIT.



VIEW FROM BACK  
OF PLUG



**DEMOUNTABLE CONCEPTS, INC.**

4-WAY LIGHT PLUG WIRING DIAGRAM  
 DEMOUNTABLE MANUAL SYSTEM.  
 FOR:

SIZE A	REV. NO. 0	PART NO. 4-WAY LIGHT PLUG WIRING	
DRAWN ASP	DATE 03/03/03	JOB NO.	
SCALE	CAD NO.	SHEET 1 OF 1	

COPYRIGHT 2013 DEMOUNTABLE CONCEPTS, INC.

THIS DRAWING AND THE DATA SHOWN IS  
 PROPRIETARY AND CONFIDENTIAL. DO NOT  
 USE OR REPRODUCE FOR ANY PURPOSE  
 WITHOUT THE WRITTEN CONSENT OF  
 DEMOUNTABLE CONCEPTS, INC.